

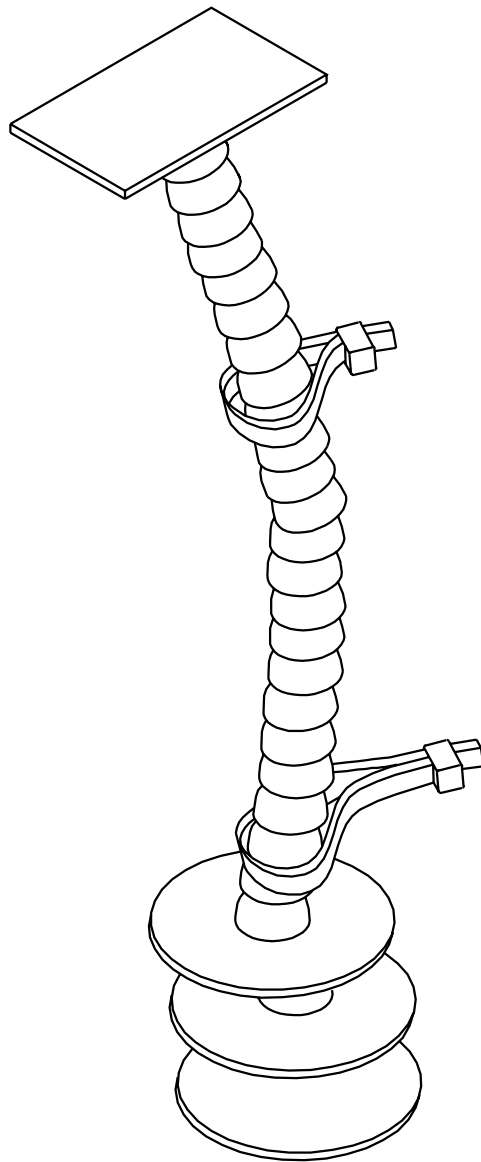
SECTION 10

TOOLS, PAINT AND

ACCESSORIES

PAGE 2	FLEX STAND KIT
PAGE 3	HYDRAULIC OIL
	SNOW PLOW EMERGENCY PARTS KIT
PAGE 4	SNOWPLOW TESTER
	TOUCH UP PAINT
PAGE 5	DRILL BIT EXTENSION
	SPRING COMPRESSOR SERVICE KIT
PAGE 6	CINCH STRAP KIT
	STOP PLATE KIT
PAGE 7-8	REPLACEMENT PIGTAILS
	ELECTRICAL PIN REPAIR KIT

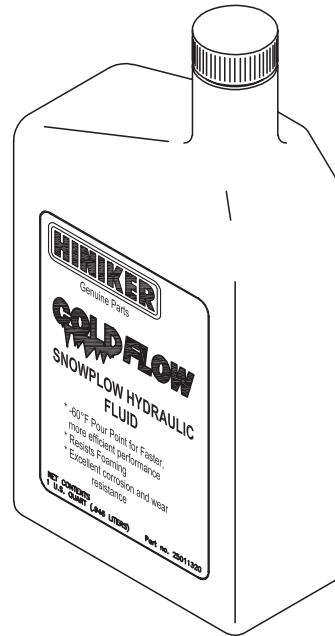
FLEX STAND KIT



DWG 4212

REF. NO.	PART NUMBER	DESCRIPTION	QTY.	REF. NO.	PART NUMBER	DESCRIPTION	QTY.
1	25010954	Flex Stand Kit	1				

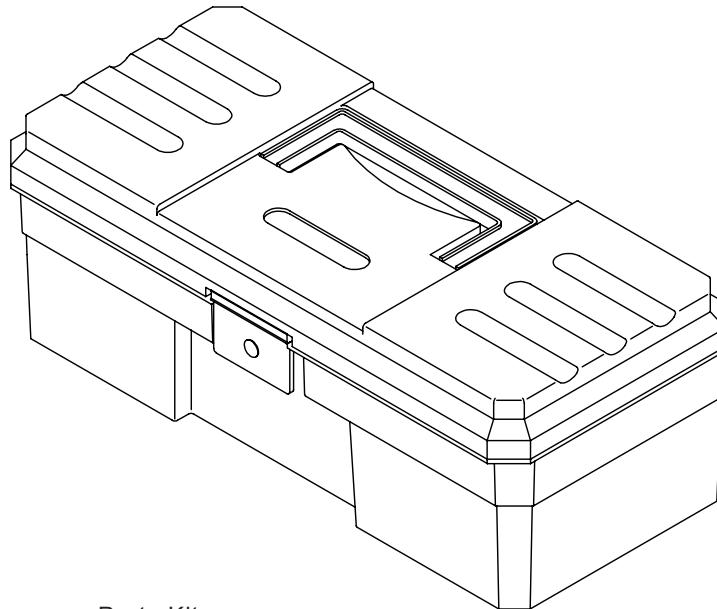
HYDRAULIC OIL



DWG. NO. 5687

REF. NO.	PART NUMBER	DESCRIPTION	QTY.	REF. NO.	PART NUMBER	DESCRIPTION	QTY.
1	25011320	1 Quart Hydraulic Fluid	A/R		25012812	1 Gallon Hydraulic Fluid	A/R
	25011321	1 Case Hydraulic Fluid - Quarts	A/R		25012813	1 Case Hydraulic Fluid - Gallons	A/R

SNOW PLOW EMERGENCY PARTS KIT



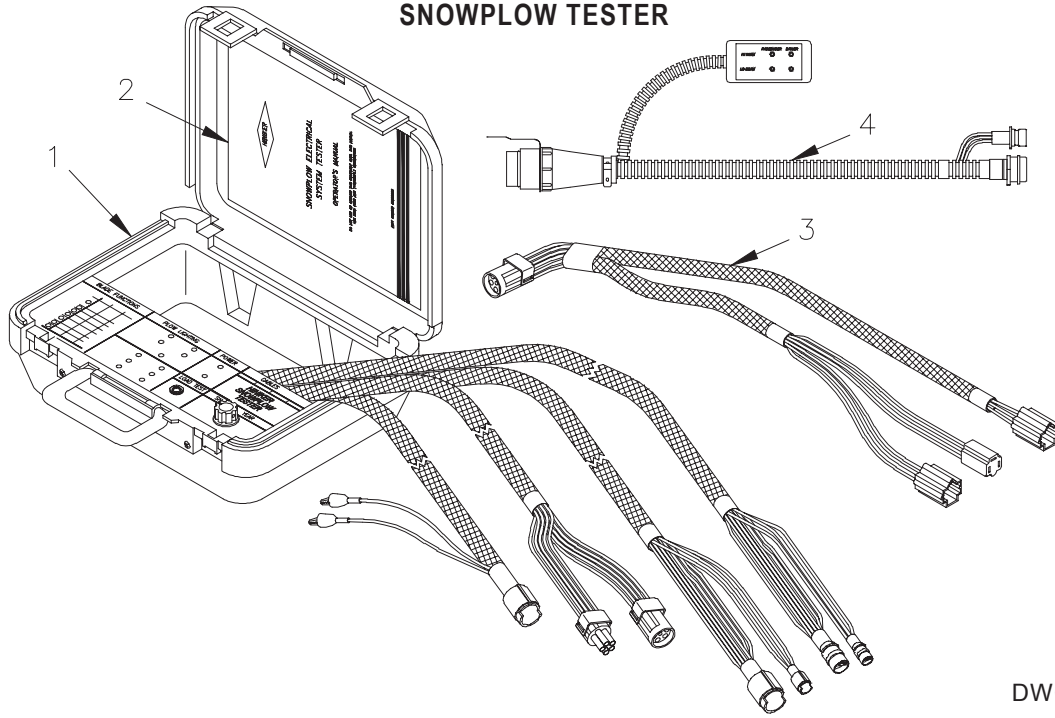
25011819 Snowplow Emergency Parts Kit

DWG. NO. 5688

REF. NO.	PART NUMBER	DESCRIPTION	QTY.	REF. NO.	PART NUMBER	DESCRIPTION	QTY.
1	25010797	Tab Lock Pin	1	6	38350010	Relay, 40A, 12V	1
2	25011320	1 Quart Hydraulic Fluid	1	7	38813073	14" Ground Wire	1
3	25011667	Coil Assembly 16W 10V	1	8	703-00209	Klik Pin	1
4	25011818	Toolbox	1	9	957-021-000	Hydraulic Hose 1/4 x 66"	1
5	367-001-011	Cable Tie 14 Inch	5				

TOOLS, PAINT AND ACCESSORIES

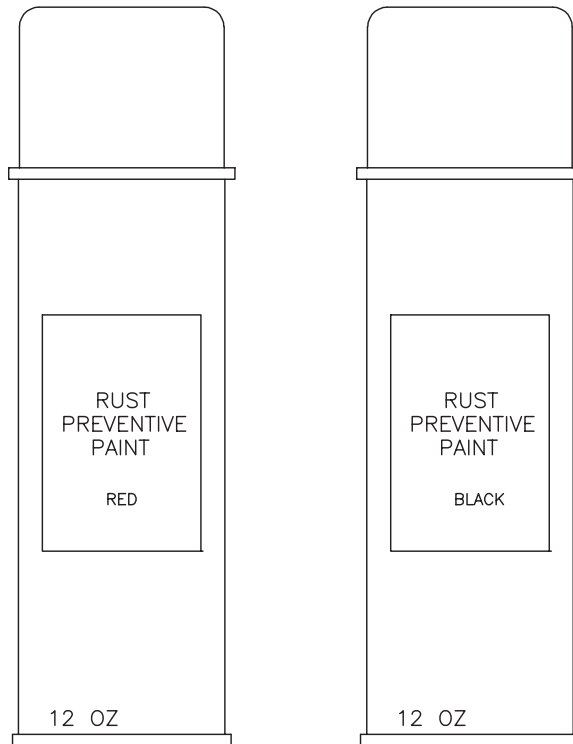
SNOWPLOW TESTER



DWG. NO. 5715

REF. NO.	PART NUMBER	DESCRIPTION	QTY.	REF. NO.	PART NUMBER	DESCRIPTION	QTY.
1	36014014	Snowplow Tester (Includes Manual & Adapter)	1	3	38813062	Cable Tester Adapter	1
2	39300022	Snowplow Test Manual	1	4	38813105	Snowplow Tester CPC Adapter	1

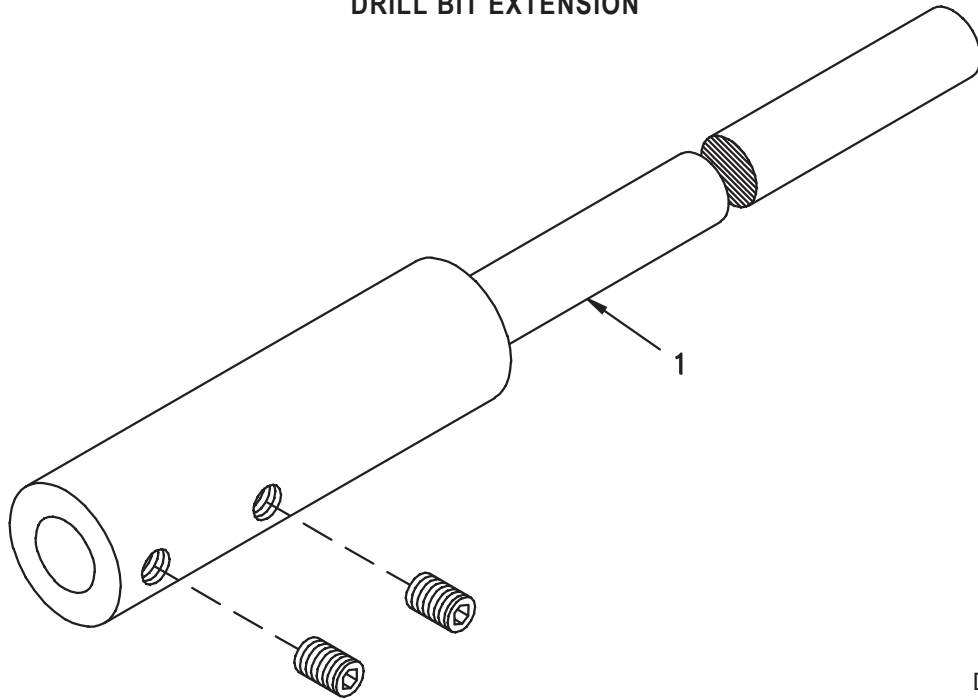
TOUCH UP PAINT



DWG. NO. 5737

REF. NO.	PART NUMBER	DESCRIPTION	QTY.	REF. NO.	PART NUMBER	DESCRIPTION	QTY.
1	921-001-416	Red Touch Up Paint	1	2	921-001-414	Black Touch Up Paint	1

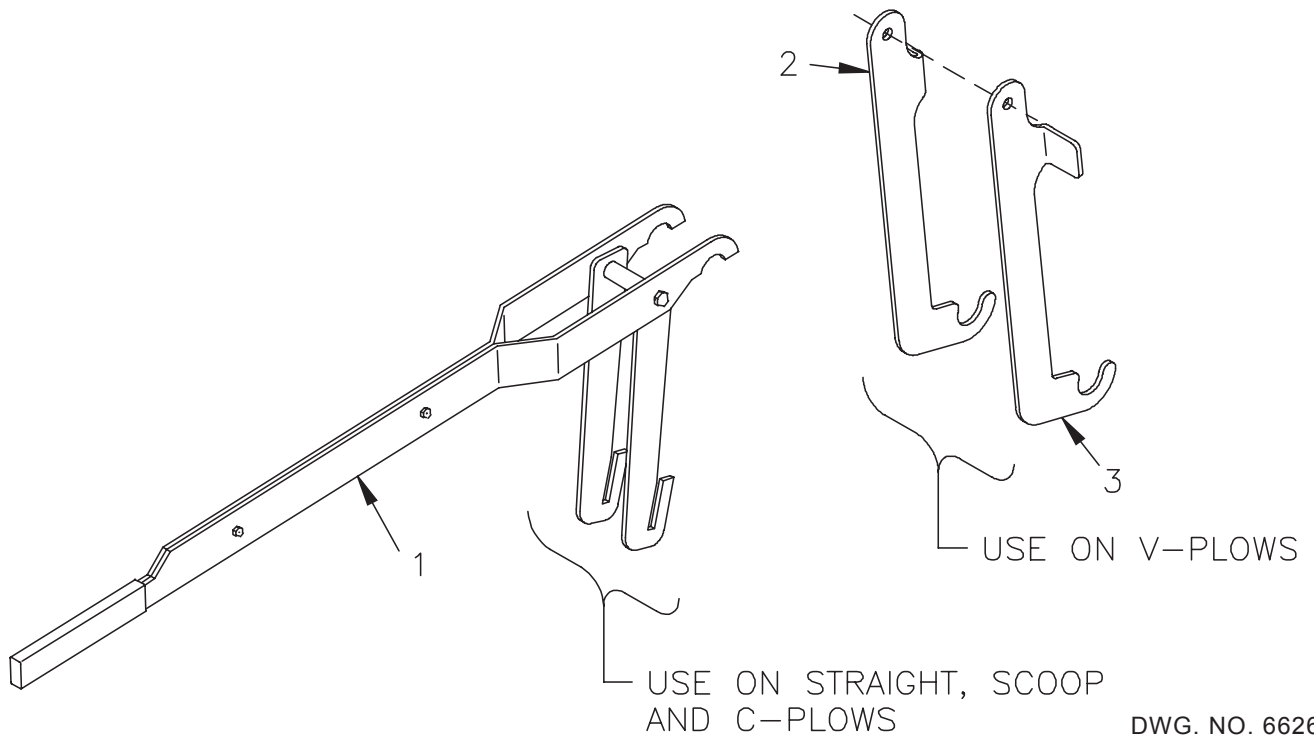
DRILL BIT EXTENSION



DWG. NO. 5744

REF. NO.	PART NUMBER	DESCRIPTION	QTY.	REF. NO.	PART NUMBER	DESCRIPTION	QTY.
1	25010552	Drill Bit Extension Assembly (Used With Ford Mount Kit 25010958)	1				

SPRING COMPRESSOR SERVICE KIT

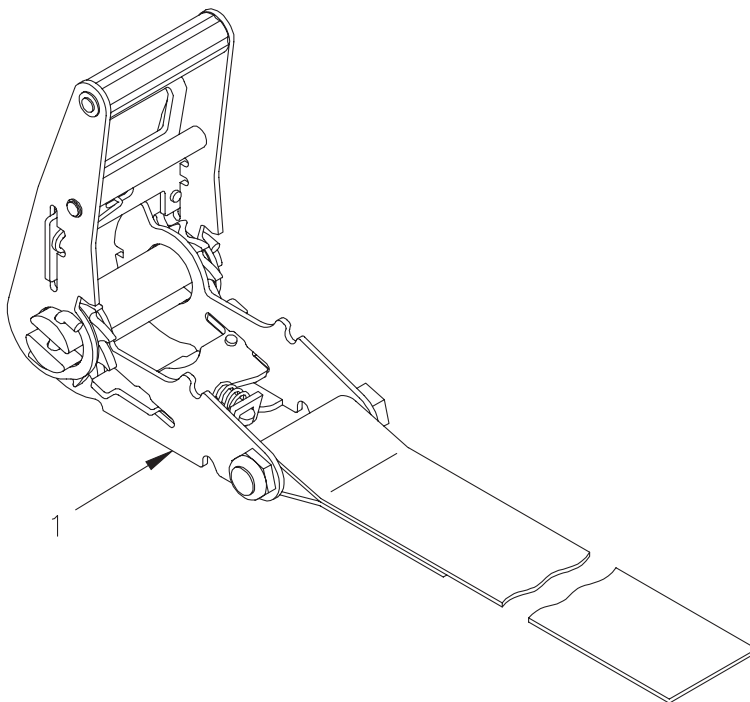


DWG. NO. 6626

REF. NO.	PART NUMBER	DESCRIPTION	QTY.	REF. NO.	PART NUMBER	DESCRIPTION	QTY.
1	25011496	Spring Compressor Service Kit (Includes Items 2 & 3)	1	3	25012772	RH Bottom Link, V-Plow	1
2	25012773	LH Bottom Link, V-Plow	1				

TOOLS, PAINT AND ACCESSORIES

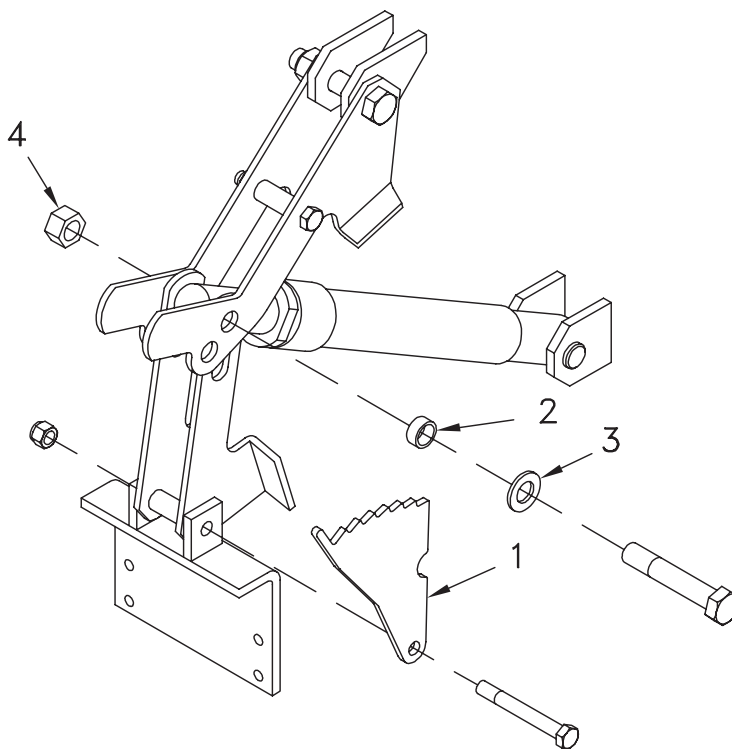
CINCH STRAP KIT



DWG. NO. 6532

REF. NO.	PART NUMBER	DESCRIPTION	QTY.	REF. NO.	PART NUMBER	DESCRIPTION	QTY.
1	25012670	Cinch Strap Kit	1				

STOP PLATE KIT

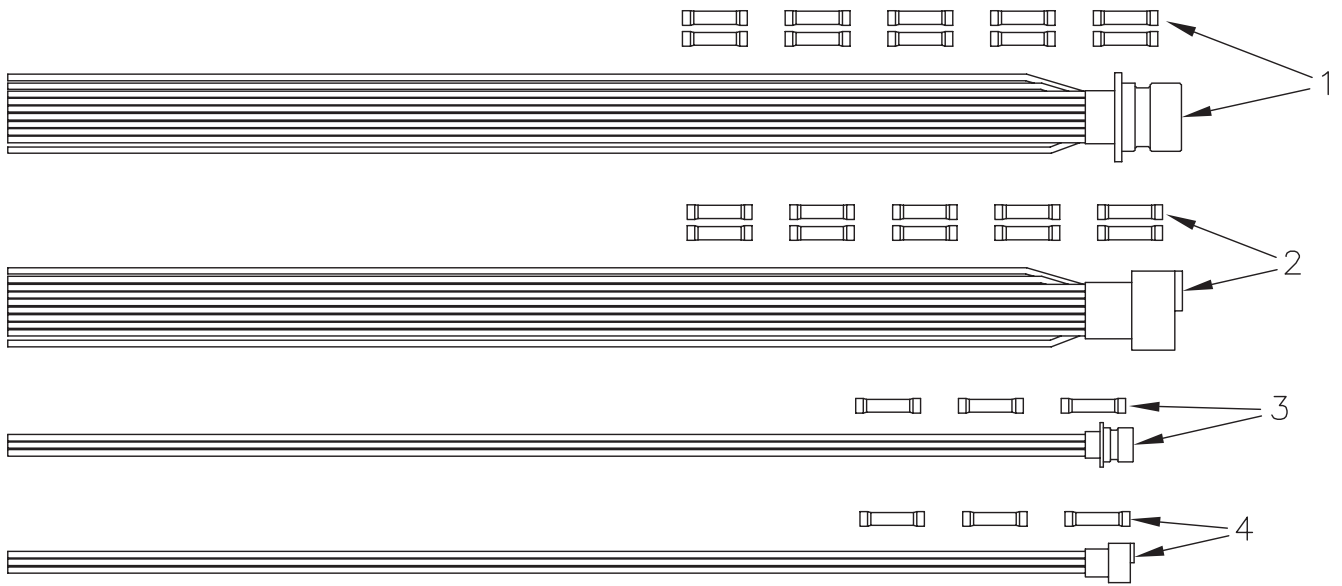


25011986 Stop Plate Kit

DWG. NO. 5887

REF. NO.	PART NUMBER	DESCRIPTION	QTY.	REF. NO.	PART NUMBER	DESCRIPTION	QTY.
1	25011984	Stop Plate	1	3	033-12013	SAE Flat Washer 3/4 Inch	1
2	25011885	Bushing	1	4	951-005-037	Lock Nut 3/4-10 2-Way	1

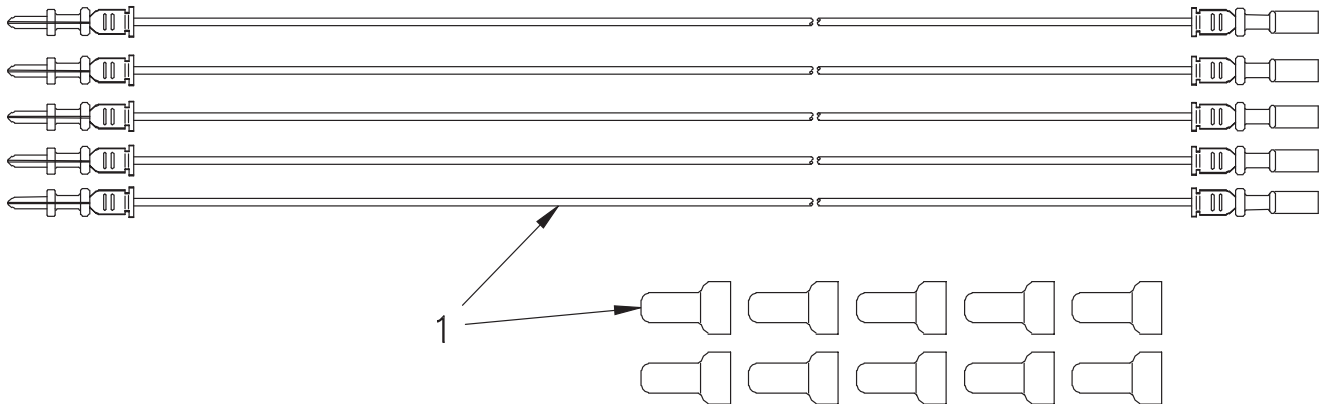
REPLACEMENT PIGTAILS



DWG. NO. 5888

REF. NO.	PART NUMBER	DESCRIPTION	QTY.	REF. NO.	PART NUMBER	DESCRIPTION	QTY.
1	38813074	Pigtail, 10 Pin Grill	1	3	38813076	Pigtail, 3 Pin Grill	1
2	38813075	Pigtail, 10 Pin Plow	1	4	38813077	Pigtail, 3 Pin Plow	1

ELECTRICAL PIN REPAIR KIT



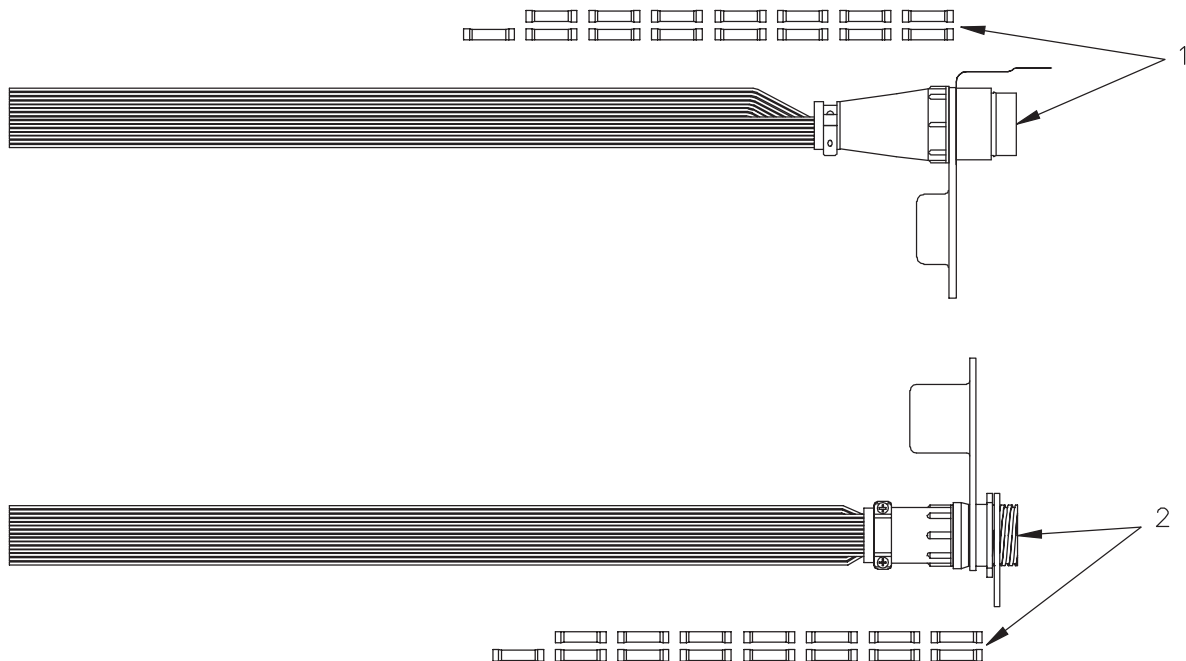
* For Repair Of 3, 7, And 10 Pin Sure Seal Connectors

DWG. NO. 5746

REF. NO.	PART NUMBER	DESCRIPTION	QTY.	REF. NO.	PART NUMBER	DESCRIPTION	QTY.
1	38813013	Repair Kit, 10 Terminals W/Wires	1				

TOOLS, PAINT AND ACCESSORIES

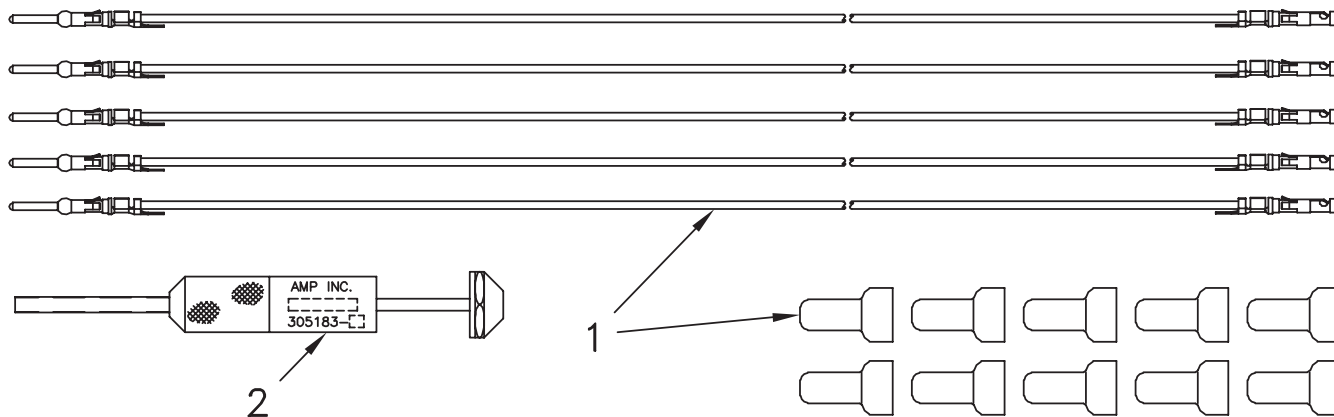
REPLACEMENT PIGTAILS



DWG. NO. 6798

REF. NO.	PART NUMBER	DESCRIPTION	QTY.	REF. NO.	PART NUMBER	DESCRIPTION	QTY.
1	38813107	Pigtail, AMP CPC Plow	1	2	38813106	Pigtail, AMP CPC Grill	1

ELECTRICAL REPAIR KIT



DWG. NO. 6797A

REF. NO.	PART NUMBER	DESCRIPTION	QTY.	REF. NO.	PART NUMBER	DESCRIPTION	QTY.
1	38813108	Repair Kit, AMP CPC	5	2	38640000	Extraction Tool	1

